

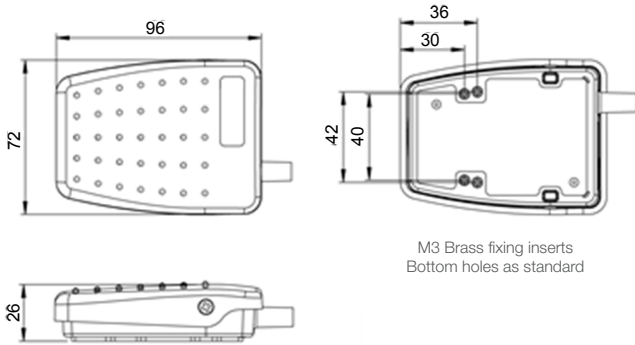


- ▶ **Low profile, rear hinged switch designed for improved user comfort**
- ▶ **All plastic construction with raised tread pattern and anti-slip pad**
- ▶ **Versatile and innovative design make it an ideal product for OEM use**
- ▶ **Switches designed to meet medical, industrial/office/commercial standards**
- ▶ **Option for customers to fit own cable**

Specifications	
Standards/approvals	UL File No: E353500 · EN 60601-1:2007/A2:2021 · IEC 60601-1:2005+AMD1:2012+AMD2:2020 · CAN/CSA C22.2. No 60601-1:08 · CAN/CSA C22.2. No 60601-1-14/A1+A2:2022 · ANSI/AAMI ES60601-1:2005/A1:2012 +A2:2021
Degree of protection	EN 60529 IPX2
Connection method	Stripped cable cores, USB or connector of your choice
Electrical rating	Max. 3A 24V AC/DC
Contact configuration	SPST N/O, SPST N/C, SPCO, DPST N/O, DPST N/C, DPCO
Operating temperature range	-20 to +60°C
Body material	Thermoplastic
Weight	0.14Kg (including cable)
Additional information	Customized versions available (logos, cordsets, colours, guards)



Dimensions





Ordering information

(Please use the characters in the chart below to create your product code)

Sample Code 6225 - A A A A - A A A A - 000

Cover & base colours

- A Black Cover & Black base

- B Grey Cover & Black base

- C Yellow Cover & Black base

- D Green Cover & Black base

- L Blue Cover & Black base

- N Orange Cover & Black base

Base configuration

- A Base fitted with M3 brass inserts

- B Base fitted with Neopren pad

- C Base fitted with M3 brass inserts & Neopren pad

- D Base fitted with Anti-slip Feet

Switching action

- A Single Pole normally open microswitch (SC)

- B Single Pole change over microswitch (CC)

- C Double pole normally open microswitches (DO)

- D Double pole normally open microswitches Two changes (DA)

- E Single- or Double switch supplied without cable

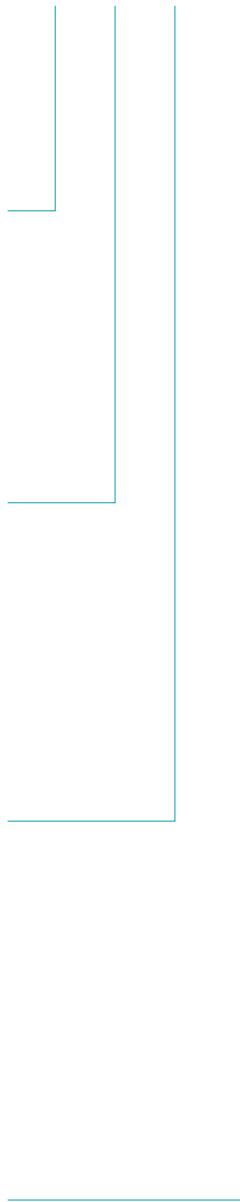
- F USB Pre-programmed for customer keystroke (supplied with 2.5m cable & plug)

Electrical rating

- A Microswitch (Max, 0,1A, 24 V AC/DC)

- B Microswitch (Max, 1,75A, 24 V AC/DC)

- C Sub-Min Microswitch - for USB-Option only (Max, 20mA, 5 V AC/DC)



If you require a customized solution for your program contact our sales team.

